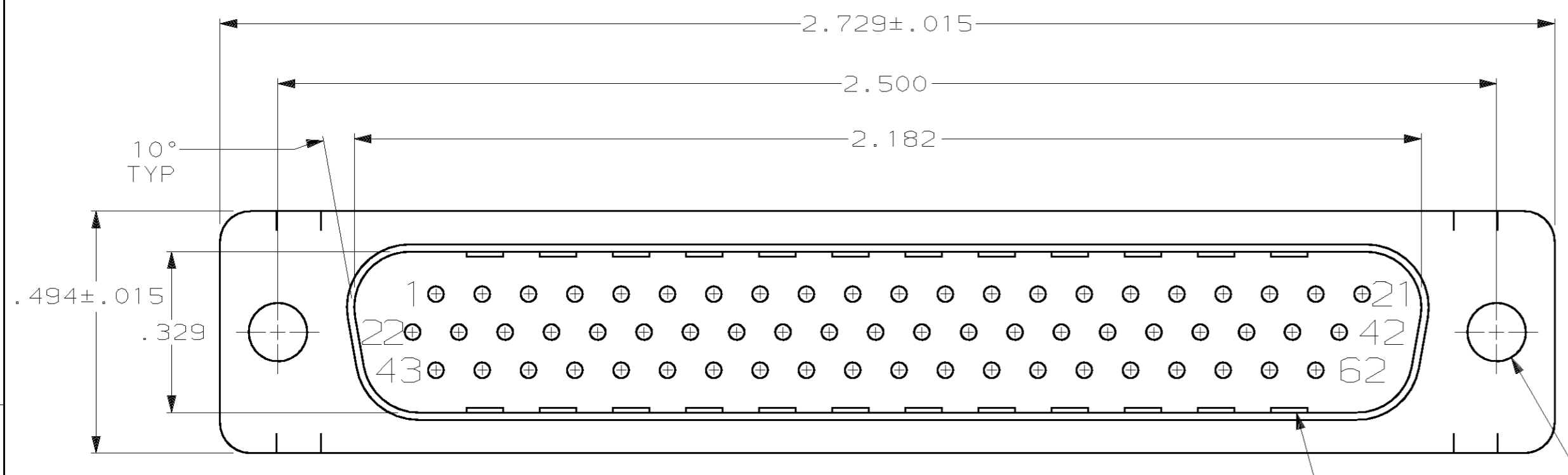


THIS DRAWING IS UNPUBLISHED. RELEASED FOR PUBLICATION
 (C) COPYRIGHT 19 BY AMP INCORPORATED, ALL RIGHTS RESERVED.

LOC		DIST		REVISIONS			
P	LTR	DESCRIPTION	DATE	DWN	APVD		
GP	00	0	RELEASED PER EC 0513-0209-03	02JAN04	LB	5B	

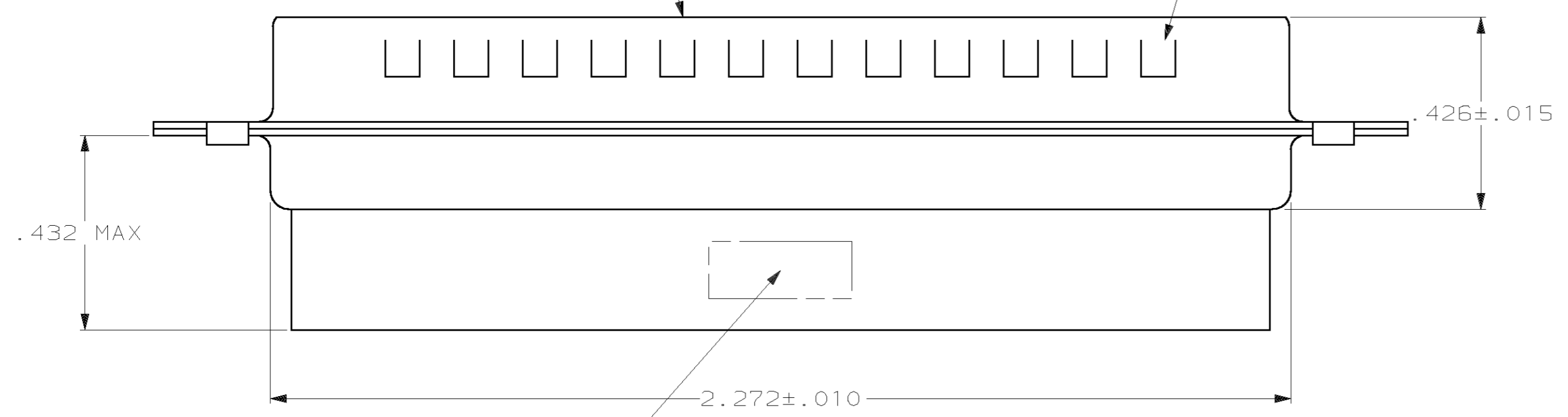


- CONNECTOR ACCEPTS 22 DF PIN CONTACTS, RETENTION TINES ARE AN INTEGRAL PART OF INSERT.
- FLAME RETARDANT 94V-0 RATED GLASS FILLED NYLON, COLOR: BLACK.
- CARBON STEEL.
- .000200 MIN. TIN PLATE OVER .000100 MIN. COPPER UNDERPLATE.

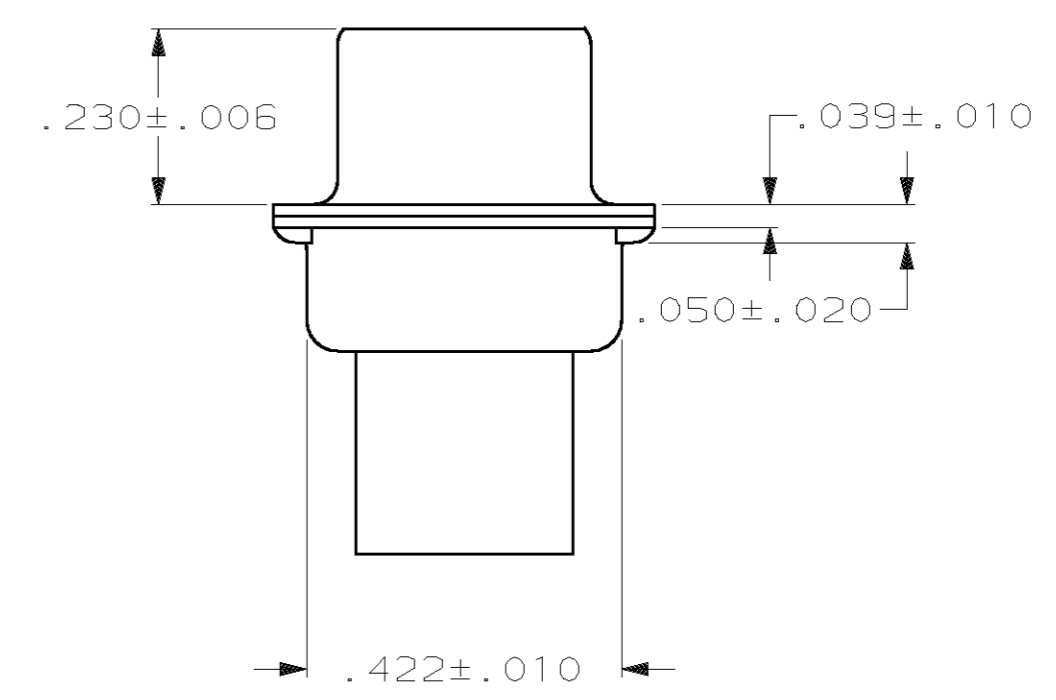
.120 DIA
2 HOLES

GROUNDING INDENTS

MATING FACE



TYCO, PART NO. & DATE CODE, MARKED IN AREA INDICATED, ON FAR SIDE



1658673-1
PART NUMBER

THIS DRAWING IS A CONTROLLED DOCUMENT.		DWN L. BAUM 02JAN04	AMP Incorporated Harrisburg, PA 17105-3608	
DIMENSIONS: INCH		CHK S. BOLASH 02JAN04	NAME PLUG ASSEMBLY, SIZE 4, 62 POSN, HDP-22, AMPLIMITE®	
TOLERANCES UNLESS OTHERWISE SPECIFIED:		APVD M. WALMSLEY 02JAN04	PRODUCT SPEC 108-1268	RESTRICTED TO
0 PLC ±-		APPLICATION SPEC 114-10001	SIZE A2	CAGE CODE 00779
1 PLC ±-		WEIGHT -	DRAWING NO 1658673	REV 0
2 PLC ±-		CUSTOMER DRAWING	SCALE 4:1	SHEET 1 OF 1
3 PLC ±.005				
4 PLC ±-				
ANGLES ±2°				
MATERIAL MOLDED PARTS: Δ	FINISH SHELLS: Δ			
SHELLS: Δ				